



For the following
E-Chains/E-Tubes:

System E4 Series

- 4040HD/R8840HD

We especially recommend for the igus® E4/4 series 4040 HD (Heavy Duty) this trough system. Structurally identical with trough 974.30.SL yet with special HD-installation set, suitable for ambitious applications.

- B_a = Outer E-Chain® width
- B_i = Inner E-Chain® width
- h_a = E-Chain® outer height
- H_{Ri} = Inner trough height
- H_{Ra} = Outer trough height
- B_{Ri} = Inner trough width
- B_{Ra} = Outer trough width

! $H_{Ri} \geq 2 \cdot h_a$
■ $B_{Ri} \geq B_a + 4$

- = Guide trough
- = Glide bar
- = Installation set
- = C-profile



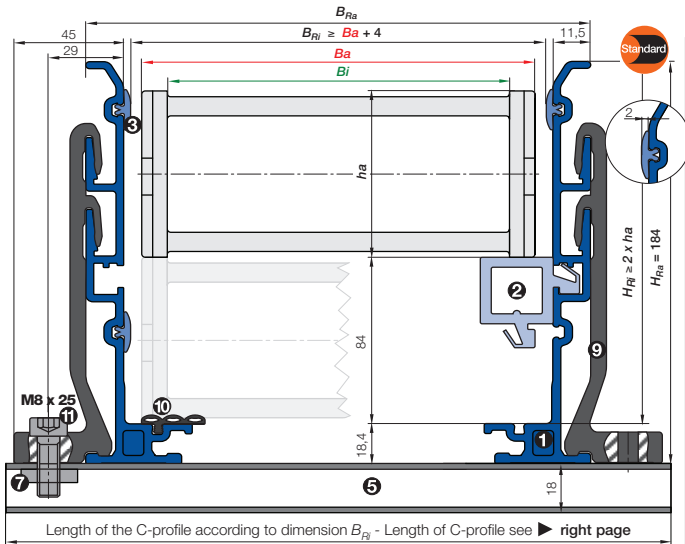
Calculation - travel
center mounted

Half travel length, rounded down to full 2 m sections = X m guide trough length without glide bars + X m guide trough length with glide bars + installation sets (number of trough pieces + 1)

Supplement Part No. with the indicated C-profile-length-index.

Example: 974.50. 200

C-profile length-index for your chosen trough inner width B_{Ri} ▶ see table on the right or the respective page for chosen series



- Components, trough "Heavy Duty": ① Trough side parts, aluminum, 2 m ② Glide bar, plastic, 2 m ③ Glide strips, plastic, 2 m (without glide strips on request) ⑩ Optional: Silencer profile, rubber
- Components, installation set "Heavy Duty": ⑤ C-profile, steel galvanized ⑦ Sliding nut M8 ⑨ Heavy duty bracket, aluminum ⑪ Screw M8 x 25

Heavy Duty version: Aluminum "SuperTrough" components

Complete guide trough sets - description	Part No.	Weight	kg
① Set of 2 trough side parts, incl. glide strips, without glide bars, 2 m section	974.30.SL	= 10,0 kg	
② Set of 2 trough side parts, incl. glide strips, with glide bars, 2 m section	974.31.SL	= 12,8 kg	
③ 1 Installation set "Heavy Duty" without C-profile	974.50	= 0,40 kg	
1 Installation set "Heavy Duty" with C-profile	974.50.		
Single parts - description			
⑥ 1 Glide strip, individual, 2 m section	75.01	= 0,06 kg	
⑩ 1 Silencer profile, rubber, individual, 2 m section	75.68.H		
⑪ 1 Screw M8 x 25, individual	MAT 0040445		
⑦ 1 Sliding nut M8, individual	MAT 0040413		
② 1 Glide bar, individual, 2 m section	83.79	= 1,30 kg	
⑤ 1 C-profile, individual	92.52.	= 0,90 kg/m	



Order example: Length of travel 30 m -
Center mounted for Series 4040HD.10.250.0 with $B_{Ri} = 158$

Guide trough set (set of 2 trough side parts, incl. glide strips) without glide bar		
Order text: 16 m guide trough without glide bar (8 x 2 m sections)	Part No.	974.30.SL
Guide trough set (set of 2 trough side parts, incl. glide strips) with glide bar		
Order text: 16 m guide trough with glide bar (8 x 2 m sections)	Part No.	974.31.SL
Installation set "Heavy Duty" complete (guide trough-sets + 1)		
Order text: 17 installation sets "Heavy Duty"	Part No.	974.50. 275
Module for the fixed end		
Order text: 1 set	Part No.	974.80
Option: For an additional noise dampening with silencer profile, please add Index A Example:	Part No.	974.30.SLA

Lengths of C-profile

4040HD/R8840HD

4040HD.05.250.0

B_{Hl} [mm]	Part No. assembled
.05 108	974.50.225
.06 123	974.50.250
.07 133	974.50.250
.08 146	974.50.275
.10 158	974.50.275
.11 170	974.50.300
.12 183	974.50.300
.13 195	974.50.325
.15 208	974.50.325
.16 220	974.50.350
.17 233	974.50.350
.18 245	974.50.375
.20 258	974.50.375
.21 270	974.50.400
.22 283	974.50.400
.23 295	974.50.425
.25 308	974.50.425
.26 320	974.50.450
.27 333	974.50.450
.28 345	974.50.475
.30 358	974.50.475
.31 370	974.50.500
.32 383	974.50.500
.33 395	974.50.525
.35 408	974.50.525
.36 420	974.50.550
.37 433	974.50.550
.38 445	974.50.575
.40 458	974.50.575
.41 470	974.50.600
.42 483	974.50.600
.43 495	974.50.625
.45 508	974.50.625
.46 520	974.50.650
.47 533	974.50.650
.48 545	974.50.675
.50 558	974.50.675
.51 570	974.50.700
.52 583	974.50.700
.53 595	974.50.725
.55 608	974.50.725
.60 658	974.50.775