



For the following igus® series

E2.1

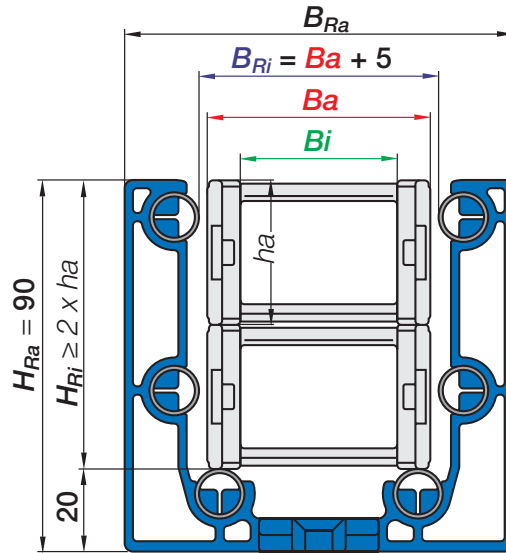
● E2.26

E2/000

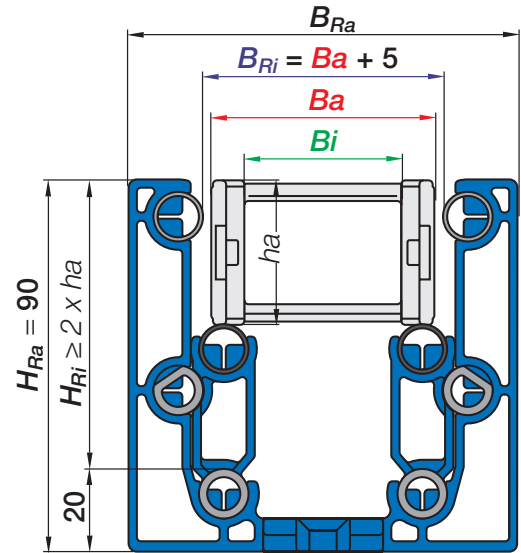
● 2500

● 255

For 1m trough without glide bars
6 tubes 1m long are required.
For 1m trough with glide bars 4
tubes 1m long are required.



Installation set **without** glide bar



Installation set **with** glide bars

Installation dimensions

XXX	Bi	Ba	B _{Ra}	B _{Ri}
02*	25	41	81	45
03	38	54	94	58
05	57	73	113	77
07	77	93	133	97
09	89	105	145	109
10	103	119	159	123
12	125	141	181	145

*Spacer plate upon request

XXX = Width index

Tubular trough | Components

Individual parts	Part No.	Weight
Installation set without glide bars	92.70.XXX	≈ 0.15kg
Installation set with glide bars	92.71.XXX	≈ 0.12kg
Installation set junction	92.74.XXX	
Fastening set	92.77.2	
Tubular steel, diameter ø 12 x 1 galvanised	92.80	≈ 0.28kg
(L = 985) for clearance Installation set 1m)		

Please add the width index XXX. Example: 92.71.05



Order example: e-chain® inner width 57mm.

For 8m trough the following parts are required:

Area with glide bar:	4 x installation set +	92.71.050
	tube: 4 x 4 piece	92.80
Area without glide bar	4 x installation set +	92.70.050
	Tube: 4 x 6 piece	92.80
Transition from area without glide bar to area with glide bar	1 x installation set junction	92.74.05